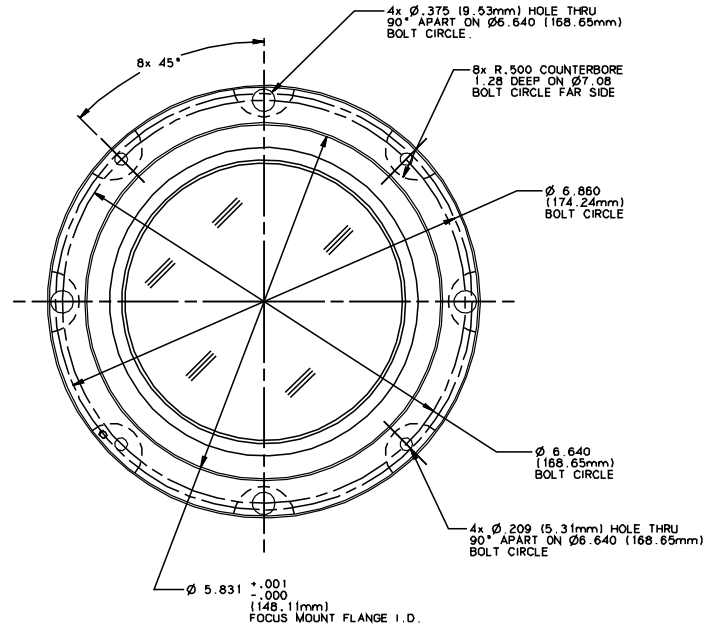
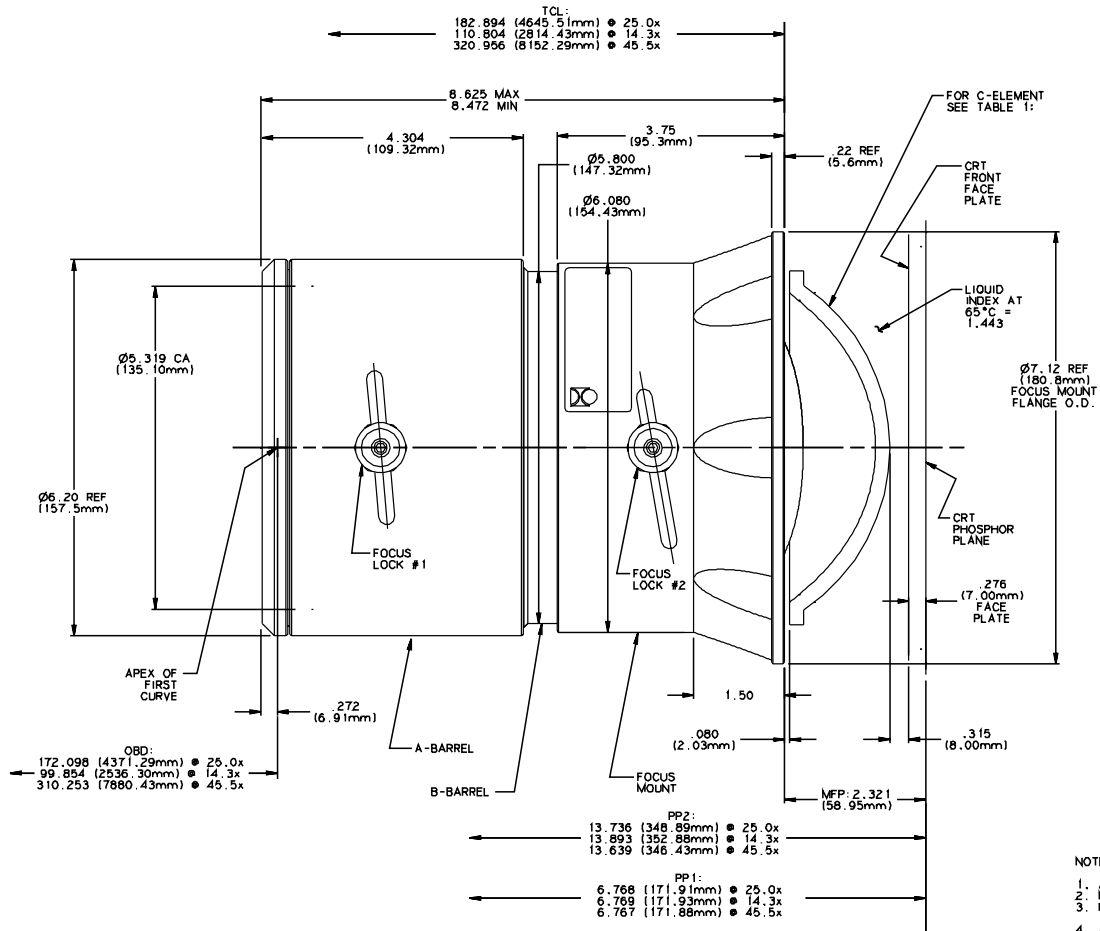


REVISIONS			
REV	DESCRIPTION	DATE	BY

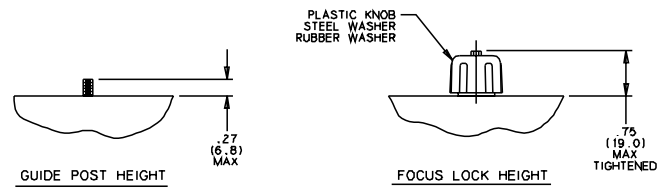


NOTES:

1. ALL DIMENSIONS ARE IN INCHES (MILLIMETERS).
2. MAXIMUM OPERATING TEMPERATURE: 176°F (80°C).
3. MATERIALS - MOUNT: ALUMINUM (BLACK ANODIZED)
OPTICS: GLASS, PLASTIC.
4. ALL ELEMENTS ARE ANTI-REFLECTIVE COATED.
5. DESIGNED TO BE USED ON FLAT SCREENS ONLY.
6. ITEMS ROTATED TO PLANE OF DRAWING FOR CLARITY. SEE FOCUS INSTRUCTIONS.
7. FOCUSING FORCE AS MEASURED ON REAR KNOB AND PIN NOT TO EXCEED 10lb (4.5kg) FORCE AT 22°C±1°C.

FOCUS INSTRUCTIONS:

1. LOOSEN FOCUS LOCK NO. 1 AND FOCUS LOCK NO. 2.
2. MOVE FOCUS LOCK NO. 1 TO FOCUS IMAGE ON AXIS.
3. MOVE FOCUS LOCK NO. 2 FOR BEST FOCUS ON CORNERS.
4. REPEAT STEPS 2-3 UNTIL SATISFACTORY FOCUS IS ACHIEVED OVER THE ENTIRE FIELD OF VIEW.
5. TIGHTEN FOCUS LOCK NO. 1 AND FOCUS LOCK NO. 2.



C-ELEMENT:	DRAWING NO:
CLEAR	0040CS7553
GREEN ECP	0040CS7553
RED ECP	0040CS7553

TABLE: 1

DELTA HD-10E

DECIMAL		FRACTIONAL		ANGULAR	
.XX	± .010"	1/16"	± .0039"	1°	± .0090"
.XXX	± .003"	1/32"	± .0015"	5'	± .0023"
.XXXX	± .001"	1/64"	± .0008"	30'	± .0040"

DESIGNED BY	P. BLUERKLE	DATE	9-20-00	DRAWN BY	P. BLUERKLE	DATE	9-20-00
CHECKED BY	P. BLUERKLE	DATE	9-20-00	APPROVED BY	S. MOORE	DATE	9-20-00

u.s. precision lens		TITLE	
2007 Ludlum Road, Channahon, Ill. 61608 (815) 752-1900		HD10E ASSEMBLY	
DRAWING NO. 12547749 DRW		SHEET 1 OF 1	
1254CS7749		SCALE 1/1	